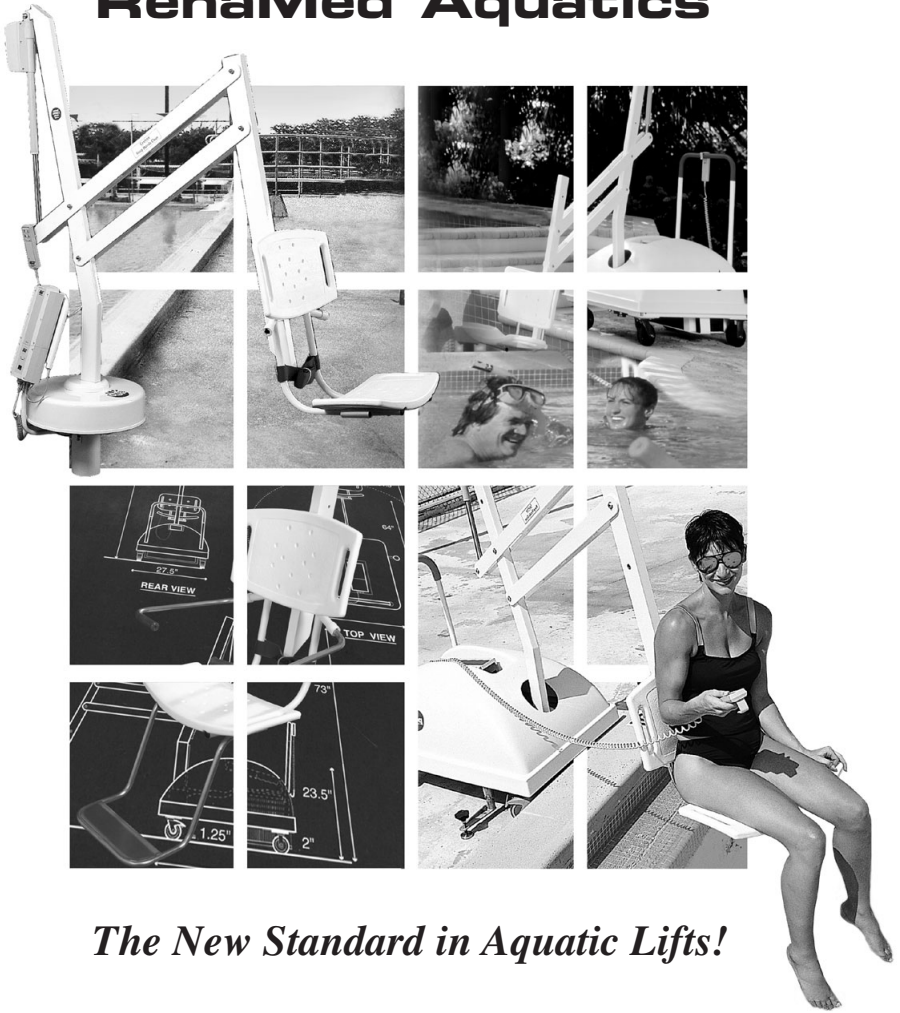




RehaMed Aquatics



The New Standard in Aquatic Lifts!

OWNERS MANUAL

TABLE OF CONTENTS

PAL / PAL Hi-Lo

Product Overview.....	4
A. Product Components	
– Standard to All Products.....	5
– PAL Base Assembly.....	6
B. Unpacking & Assembly Instructions- PAL	7-9

Splash! / Splash! Hi-Lo / Splash! HD / Splash! Mariner

Product Overview.....	10
C. Product Components	
– Standard to All Products.....	11
– Splash! Base Assembly.....	12
D. Unpacking & Assembly Instructions- Splash!	13-14
– Pool Deck Installation.....	15

GENERAL - ALL PRODUCTS

E. Battery Charging.....	16
F. Remote Control Operation.....	16
G. Transferring.....	17-18
H. Maintenance.....	18
I. Trouble Shooting.....	19
J. Warranty.....	19
K. Product Specifications	
– Dimensions/Capacity.....	20
– Actuator.....	20
– Motor.....	20
– Battery.....	20
– Materials and Finish.....	21
– Range of Motion.....	21
L. Standard/Optional Accessories.....	22
M. Parts List.....	23

INTRODUCTION

The purpose of this document is to provide information relating to the operation, care, and maintenance of RehaMed International's line of Aquatic Lifting Products.

Our goal is to provide our customers with the most advanced and innovative designs that offer exceptional quality at affordable prices. We design and manufacture our products so that all individuals with disabilities and mobility impairments can have access to, and enjoyment from the recreation activity of their choice. Please feel free to contact us directly if you have any questions about our current product line or have needs that we may be able to assist you in meeting in the future.

CONTACT INFORMATION



RehaMed International, LLC.

14008 SW 140th Street • Miami, FL 33186

800-577-4424 Toll Free

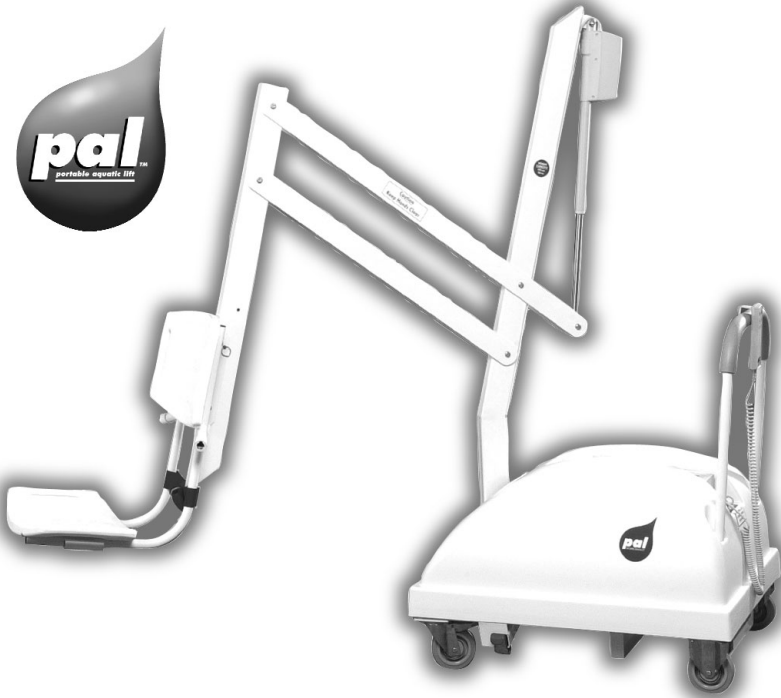
305-255-1400 Phone

305-969-2155 Fax

info@poollifts.com

<http://www.poollifts.com>

THE **PAL**-PORTABLE AQUATIC LIFT



PAL- Product Overview

The PAL-Portable Aquatic Lift is designed to provide the greatest flexibility for swimming facilities seeking to provide access to more than one pool or spa, or to accommodate a user's desire to enter a single pool in multiple locations. The PAL is completely portable, is battery powered, and is operated by a screw driven actuator. This design insures consistent operation and elimination of service problems that occur with water powered pool lifts. The PAL is available in a Hi-Lo version to accommodate facilities with both in-ground pools and above-ground spas.

The PAL can be adapted to virtually any pool configuration. A poolside configuration worksheet is requested with each order prior to shipping so the lift is configured to match customer's specifications. If you have questions regarding the PAL's adaptability to pool's configurations, please contact either your vendor or RehaMed directly.

A- PRODUCT COMPONENTS

REFER TO THE DIAGRAM ON PG.7 FOR COMPONENT IDENTIFICATION.

All PAL and Splash! Products – Standard Components in all Units

Control Box. Forms the bottom of the control console; this unit controls the mechanical operations of the lift. Three wire leads connect to the rear of the Control Box. The largest receptacle is the connection for the Hand Control. The connector next to the hand control connector, marked number 1, is the receptacle for the Actuator lead. The connector next to the actuator connector, marked number 2, is the receptacle for the 24-volt motor lead.



Battery. The removable Battery is located on top of the control box. The battery should be charged frequently. Do not allow to fully discharge.

Hand Control. Initiates the actions of the lift. The two top pairs of buttons control the lifting actions of the unit. The user can select “fast up/fast down” or “slow up/slow down” based on their individual comfort level. The bottom pair of buttons controls the side to side movement of the lift. The right button turns the main mast to the right, and the left button turns the main mast to the left.



Mast. This vertical piece is bolted to the base assembly.

Actuator. Attached to the top of the mast, this part powers the up and down movements of the lift.

Horizontal Support Arms. These two support arms connect the mast to the chair support arm. The longer horizontal support arm (actuator arm) connects to the actuator and initiates the lifting movements.

Chair Support Arm. Connects the chair to the horizontal support arms.

Chair Assembly. Connects to the Chair Support Arm.

PAL / PAL Hi-Lo - Base Assembly Only

The Base Assembly is made up of several components as described below:

Casters. These are the wheels on which the PAL moves. The front wheels are rigid and the back wheels are swivel and locking casters to facilitate movement of unit.

Main Frame. This is the rectangular piece that is fixed to the casters. The main frame is made up of several components:

Rotation Motor Assembly. Consists of mounting plate, 24-volt motor, and small gear.

Hub Assembly. Consists of hub, bearings, shaft, large gear and mast mounting plate.

Stabilizing Arms. These arms pull out to level the unit and should always be engaged when the unit is in use.

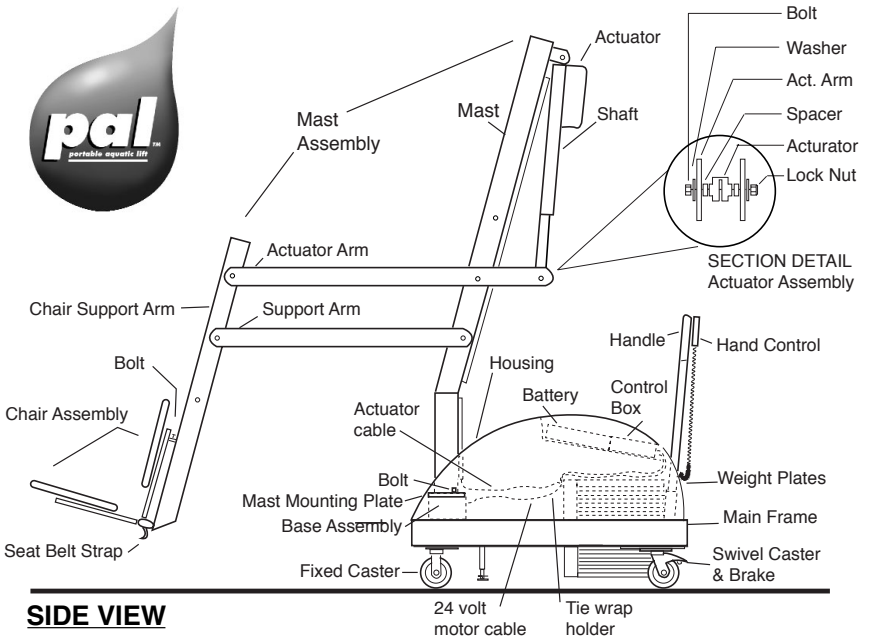
Counter Weights. These 17 plates weigh approximately 40 pounds each and are housed in the counter weight receptacle of the main frame. The weights should be placed horizontally into the receptacle to facilitate handling.

Housing. ABS Plastic covering to cover main frame components from weather. Needs to be in place prior to installing the mast assembly.

Handle. Connects to the Main Frame through openings in the housing.

B. UNPACKING & ASSEMBLY INSTRUCTIONS

PAL-Portable Aquatic Lifting Systems



SIDE VIEW

REFER TO THE DIAGRAM (above) FOR PARTS IDENTIFICATION.

READ THESE INSTRUCTIONS IN THEIR ENTIRETY BEFORE UNCRATING PAL.

Prior to opening the pallet, inspect the external condition for any visible damage. It is important that any damage be noted on the Bill of Lading. Contact RehaMed or dealer immediately to notify of missing or damaged parts.

The PAL is shipped on a cardboard covered pallet. This pallet is VERY HEAVY. You will need to gather the following tools to begin the unpacking and assembly of your unit:

- a Phillips head screwdriver or powered drill to remove the cardboard
- a 3/4" socket wrench
- a small flat blade screwdriver
- a knife or cutters to cut the shrink-wrap and bands.

IMPORTANT NOTE:

Two people will be needed for completion of step 11.

1. Cut bands and remove long box containing mast from side of cardboard enclosure.
2. Remove the cardboard enclosure by removing the screws at the bottom and lifting off the enclosure.
3. Cut bands and remove chair assembly and housing.
4. Remove and unwrap the handle located under the frame.
5. Remove the main frame from the pallet. Position the main frame close to the pallet and lock the wheels.
6. Carefully transfer the remaining plates (15) from the pallet into the plate enclosure on the main frame. Each plate weighs approximately 40 pounds so be careful not to pinch fingers or drop when placing into plate enclosure. Be sure that the plates lie flat on top of each other. If any plate appears to rock, remove that plate, flip it over, and replace it into the enclosure.
7. Open box containing mast, remove and unwrap mast assembly. Leave mast assembly in fully contracted position, this will make handling easier.
8. On frame, cut tie wrap securing 24v motor cable, position cable on top of counterweights.
9. Remove 2 bolts and lock washers from base assembly.
10. Place housing on frame.
11. Position mast assembly thru housing and attach to mast mounting plate on base assembly with bolts and lock washers. Fully tighten with 3/4" socket wrench. This step requires one person to hold the mast assembly while a second person secures the bolts. Wiggle the mast to make sure the connection is secure.
12. Cut the bands around mast (WARNING! arms will drop so be careful they are adequately supported before cutting bands).
13. Extend arm assembly and rest chair support arm on ground; use cardboard or similar material under chair support arm to prevent scratching.
14. Cut tie wrap and uncoil actuator cable at bottom of mast.
15. Lift and slide the housing part way up the mast to gain access to frame area under housing.
16. Run actuator cable along with the 24v motor cable across the top of the weights and insert through the hole in the rear of the housing near the control box.

17. Insert actuator cable (with the “o” ring) into receptacle #1 on the control box.
18. Insert 24v motor cable into receptacle #2 on control box.
19. Return housing to normal position.
20. Insert handle into slots.
21. Attach actuator to actuator arm using hardware (2 3/4” bolt, nut and 2 plastic spacers) connected to actuator. Place plastic spacers on either side of actuator on inside of actuator arm. See section detail in diagram page 7.
22. Remove and unwrap hand control from accessory carton. Insert connector into large receptacle on control unit and hang hand control on handle.
23. Attach battery to control unit mounted on housing.
24. Lock wheels to prevent movement.
25. Raise lift to its highest position.
26. Check the side to side controls for proper operation.
27. Return lift to deck side and move lift away from pool.
28. Attach chair assembly with lock pin into the appropriate hole. To facilitate storage, chair can be attached facing inward, which will require less space.

*Please call RehaMed International at
800-577-4424 if you have any problems
or questions with assembly.*

THE **SPLASH!** - SEMI-PORTABLE AQUATIC LIFT SYSTEMS



SPLASH!- Product Overview

The Splash!-aquatic lifting system is a semi-portable lift system designed for swimming facilities seeking to provide universal access to their pools. The Splash! is battery powered and is operated by a screw driven actuator. This design insures consistent operation and elimination of service problems that occur with water powered pool lifts. The Splash! is available in a Hi-Lo version to accommodate facilities with both in-ground pools and above-ground spas; and a Heavy Duty (HD) model to accommodate up to 375 lbs. The Splash! Mariner provides access to watercraft and can be mounted to a floating boat dock. The Splash! Mariner utilizes a sling seat to place the user onto a boat seat, eliminating the need for transfers. To facilitate moving unit, an optional caddie can be purchased. The Caddie is designed to lift unit out from anchor socket and roll to storage or another location if desired. Caddie also serves as a convenient storage rack for the lift when not in use.

C- PRODUCT COMPONENTS

REFER TO THE DIAGRAM ON PG.13 FOR COMPONENT IDENTIFICATION.

All PAL and Splash! Products – Standard Components in all Units

Control Box. Forms the bottom of the control console; this unit controls the mechanical operations of the lift. Three wire leads connect to the rear of the Control Box. The largest receptacle is the connection for the Hand Control. The connector next to the hand control connector, marked number 1, is the receptacle for the Actuator lead. The connector next to the actuator connector, marked number 2, is the receptacle for the 24-volt motor lead.



Battery. The removable Battery is located on top of the control box. The battery should be charged frequently. Do not allow to fully discharge.

Hand Control. Initiates the actions of the lift. The two top pairs of buttons control the lifting actions of the unit. The user can select “fast up/fast down” or “slow up/slow down” based on their individual comfort level. The bottom pair of buttons controls the side to side movement of the lift. The right button turns the main mast to the right, and the left button turns the main mast to the left.



Mast. This vertical piece is bolted to the base assembly.

Actuator. Attached to the top of the mast, this part powers the up and down movements of the lift.

Horizontal Support Arms. These two support arms connect the mast to the chair support arm. The longer horizontal support arm (actuator arm) connects to the actuator and initiates the lifting movements.

Chair Support Arm. Connects the chair to the horizontal support arms.

Chair Assembly. Connects to the Chair Support Arm.

Splash! / Splash! Hi-Lo / Splash! HD / Splash! Mariner Base Assembly Only

Base Assembly. The part of the Splash! that mounts to the pool deck or boat dock. The Base Assembly is made up of several components as described below:

Rotation Motor Assembly. Consists of mounting plate, 24-volt motor, and small gear.

Hub Assembly. Consists of hub, bearings, shaft, large gear and mast mounting plate.

Base Insert Stem. This piece slides into the anchor sleeve that is installed on the pool deck or dock. The insert can either be round or square to adapt to the designated sleeve.

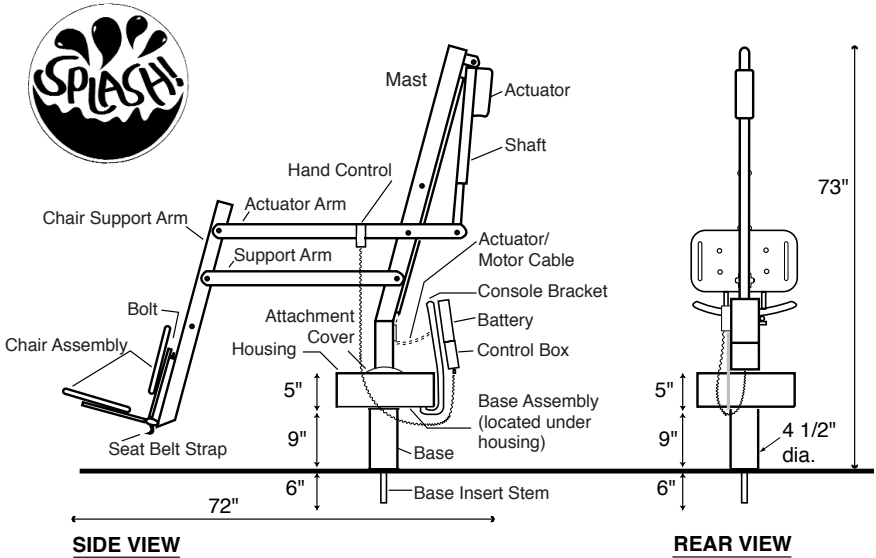
Control Console Bracket. This tubular component bolts to the base assembly and provides a mounting base for the control console.

Housing. Aluminum covering to cover base assembly components from weather. Needs to be in place prior to installing the mast assembly.

Attachment Cover. Slides down over housing to cover hardware (bolts and washers).

D. UNPACKING & ASSEMBLY INSTRUCTIONS

Splash! – Semi-Permanent Aquatic Lifting Systems



REFER TO THE DIAGRAM (above) FOR PARTS IDENTIFICATION.

READ THESE INSTRUCTIONS IN THEIR ENTIRETY BEFORE UNCRATING SPLASH!.

Prior to opening the pallet, inspect the external condition for any visible damage. Note specific damage identified on Bill of Lading. Contact RehaMed or dealer immediately to notify of missing or damaged parts.

The **SPLASH!** is shipped on a cardboard covered pallet. You will need to gather the following tools to begin the unpacking and assembly of your unit:

- a Phillips head screwdriver or powered drill to remove the cardboard
- a 3/4" socket wrench,
- a small flat blade screwdriver,
- a knife or cutters to cut the shrink-wrap and bands.

Important Note:

Two people will be needed for completion of step #6.

Move pallet to area where lift will be installed prior to opening. Remove the outer bands.

1. Remove the cardboard enclosure on the pallet by removing the screws at the bottom and lifting off the enclosure.
2. Carefully cut black bands around components. Do not cut tie wraps on mast until step #7.
3. Remove the housing cover, accessory box, and chair assembly. Remove plastic wrap from housing cover.
4. Remove the base assembly from the pallet and insert into mounting sleeve/anchor on pool deck.
5. Remove 2 bolts and lock washers from base assembly. Place housing cover over base unit and line up holes in cover with holes on base assembly.
6. Position mast assembly onto housing cover and attach with bolts and lock washers. Fully tighten with 3/4" socket wrench. This step requires one person to hold the mast assembly while a second person secures the bolts. Wiggle the mast to make sure the connection is secure. Slide attachment cover down to cover bolts.
7. Cut the tie bands around mast (WARNING! arms will drop, so be careful they are adequately supported before cutting bands).
8. Extend arm assembly and rest chair support arm on ground; use cardboard or similar material under chair support arm to prevent finish damage.
9. Cut and uncoil actuator cable at bottom of mast.
10. Run actuator cable to console bracket and insert into receptacle #1 on the control box.
11. Attach actuator to actuator arm using hardware (2 3/4" bolt, nut and 2 plastic spacers) connected to actuator. Place plastic spacers on either side of actuator on inside of actuator arm. See section detail in diagram # on pg. 7).
12. Remove and unwrap hand control from accessory carton. Insert connector into large receptacle on control unit.
13. Attach battery to control unit mounted on console.
14. Press either the up or down button to activate the lifting motion. Raise lift to its highest position.
15. Check the side to side controls for proper operation.
16. Return lift to forward position away from pool.
17. Attach chair assembly to chair support arm with lock pin into the appropriate hole. To facilitate storage, chair can be attached facing inward, which will require less space.

Please call RehaMed International at 800-577-4424 if you have any problems or questions with assembly.

Pool Deck Installation for the Splash!

The Splash! is attached to the pool deck using any standard sleeve (round or square anchor) commonly used for starting blocks or backstroke flag stanchions. We recommend a standard anchor with a 1.90 inside diameter and 6 inches of depth. The sleeve needs to be totally encapsulated in concrete. Make sure there are no air pockets or empty space around sleeve. The optimal mounting distance for the anchor is 18 inches from the pool's edge. However, the design of the Splash! allows it to be used with virtually any pool gutter configuration. To insure proper installation, pool site configuration worksheet is requested with each order prior to shipping so manufacturer can configure lift to match customer's specifications. If unsure of proper placement of your Splash!, contact your vendor or RehaMed directly.



Deck Anchor

E. BATTERY CHARGING

The rechargeable battery should be placed onto the charging unit when the lift is not in use. A fully charged battery will provide approximately 30 lifting cycles, depending on the weight of the users. The battery has no memory, so it is not necessary to fully discharge the battery prior to charging. Battery is fully charged prior to shipping, but should be checked by looking at LCD indicator on control unit prior to using to insure charge level.



Green light indicates connection to power source. Orange light indicates battery is charging. When battery is fully charged, orange light will go off. Set battery on charger in a vertical position to insure good connection.

F. CONTROL OPERATION

All units perform the following operations:

Rotate the seat. Either left or right in the direction of the arrows. **Splash!** total turning radius is 359° and **PAL** total turning radius is 240°.

Raise the seat.

Lower the seat.

Raising and lowering has two speeds, “fast” and “slow”. Use whichever one is comfortable.



G. TRANSFERRING

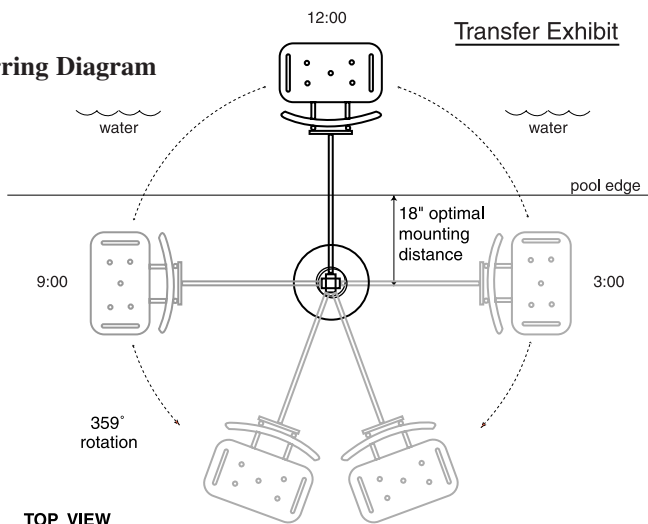
(For **PAL** and **Splash!** units):

Once the unit is positioned for use, use the following procedure to transfer to the seat and into the water for desired aquatic activity:

- Rotate the seat to either side of the lift that is the most comfortable position for transfer. The unit can be rotated to allow plenty of room for those who may assist with the transfer.
- Raise or Lower the seat to proper transfer height.
- Transfer onto the seat, insuring that the user's weight is centered on the seat. If the user is in a wheelchair, keep the wheelchair close by for easy retrieval.
- Attach seat belt or stability vest, if needed.
- Raise the seat so there is ample legroom for travel.
- Rotate seat to the 12:00 position, over the water.
- Lower the seat into the pool. The hand control is submersible, so leave it connected to the seat while swimming.
- When finished in the pool, return to the seat, insuring that the user's weight is centered on the seat.
- Re-Attach seat belt or stability vest, if needed.
- Raise the seat high enough so there is ample legroom for travel.
- Rotate the seat to the original transfer position.
- Raise or Lower the seat to proper transfer height.
- Remove seat belt or vest.
- Transfer off of the seat.

Splash!

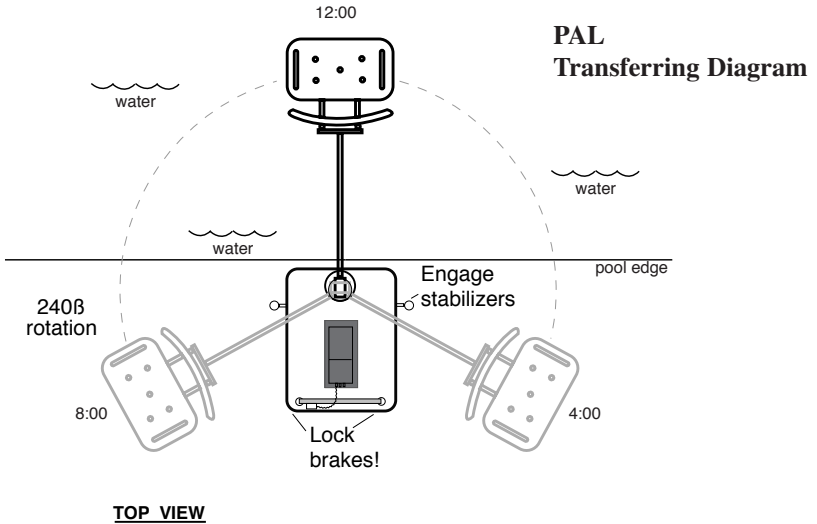
Transferring Diagram



Transferring Note: Positioning For PAL Only

Four things to REMEMBER when positioning PAL for use.

- The PAL is Heavy. It is easy to roll, but DO NOT roll too fast or it may be hard to stop.
- Position the PAL in an area that allows plenty of room for transferring to and from a wheelchair.
- Make sure that both of the stabilizing arms are deployed.
- Make sure to engage the locks on the back of the wheels.



H. MAINTENANCE

All units are virtually maintenance free. The components should be kept clean. All surfaces can be wiped down with a spray cleaner. The control box and battery should be protected from prolonged exposure to water. A small waterproof cover is provided with each lift to cover the control box when in use. If the lift is used outdoors, an optional full cover is available and should be considered.

For Splash! Units

Keep the mounting sleeve (anchor) in the pool deck or boat dock free of any debris that accumulates. This will insure that the lift is seated properly when installed. An anchor cap is recommended and is available as an optional accessory (see Available Accessories pg. 22)

I. TROUBLE SHOOTING

Unit does not Rotate

Does unit raise or lower?

- Yes. Check hand control connection to battery for damaged pins.
– Check connection to 12v motor at battery and at motor.

No.

- Is battery charged?
Is battery connected properly?
– Try using another battery

Unit does not Raise or Lower

Does unit rotate?

- Yes. Check hand control connection to battery for damaged pins.
– Check connection to actuator at battery and at motor.

No.

- Is battery charged?
Is battery connected properly?
– Try using another battery.

*If these steps have not corrected your problem,
call us at 800-577-4424.*

J. WARRANTY

All RehaMed Aquatic Lifting Systems offer a Lifetime Warranty on frame, excluding powder coated paint finish, which may become scratched with normal use. All electrical and motor components offer a full One-Year Warranty. Within the warranty period, we will repair or replace any part found to be defective upon our examination, but will not pay shipping costs or other expenses. To obtain warranty service, call or write to us at the address provided on the inside front cover of this manual. This warranty is an exclusive remedy and we are not responsible for any consequential or incidental damages or injury to person or property. This warranty shall not apply to any product which has been subject to misuse, negligence or accident, or has been damaged in shipment, or misapplied, or which have been modified or repaired by unauthorized persons. This warranty only applies to products owned by persons purchasing directly from the manufacturer or from our approved distributors or dealers.

K. SPECIFICATIONS

Splash!/Hi-Lo/
HD /Mariner

PAL/PAL-Hi-Lo

1. Dimensions/Capacity

Overall Height	73 inches	73 inches
Base Dimensions	18 inches Dia.	Hgt. 23.5, lgth.37.25, width 29.25 inches
Total Weight	140 lbs. HD-160 lbs.	845 pounds
Overall Length (footprint)	70-76" (fully extended) 53" in stored position,	85-91" (fully extended) 66" in stored position
Power	24v DC	24v DC
Battery Life	30 cycles (approx.)	30 cycles (approx.)
Lifting Capacity	300 lbs. HD-375 lbs.	300 pounds

2. Actuator

Lifting:	Linak LA32Mechanical Actuator
Max. Thrust:	1680 lb.
Voltage:	24 VDC
Max. Amp:	9
Max. Speed:	0.59 inch/sec.

3. Motor

Rotation:	ITT SWMK 403.033
	24 VDC 13 RMP
Gearing Ratio:	9:1

4. Battery

Power:	Linak Battery Pack BAJ1
	24 VDC, IP65
	Gel Lead Acid

5. Materials and Finish

PAL Only

Frame: Powder Coated Stainless Steel

Handle: Powder Coated Aluminum

Housing: Vacuum Formed ABS Plastic

Casters: Front Tente 8477 Precision Ball Bearing, Stainless Steel, 5” total lock swivel

Rear: Tente 5328 Precision Ball Bearing, Stainless Steel, 5” fixed Polyurethane Tread

Splash! Only

Base: Powder Coated Stainless Steel

Housing: Powder Coated Aluminum

All Units:

Arms: Powder Coated Aluminum

Mast: Powder Coated, Zinc Plated Steel

Seat Assembly:

Seat: Blow Molded Plastic

Frame: Powder Coated Stainless Steel

6. Range of Motion:

All Units

Lifting: Variable to configure to each pool.

44”- 58” total travel from highest to lowest point w/ standard actuator.

Seat Depth: 18-20” below water line.

Rotation: **Splash!** 359°, **PAL** 240°

US Patent No. 5,790,995

PAL-Portable Aquatic Lift, the PAL logo, the Splash!, and the Splash! logo are registered trademarks of RehaMed International, LLC.

L. STANDARD ACCESSORIES/ OPTIONAL ACCESSORIES

The following items are included with all Pool lift models:

Console Cover: Protects battery and control unit from exposure to water.

Seat Belt Assembly: Nylon, water resistant belt for added security.

Battery/Charger: 24 volt rechargeable battery.

Additional Accessories may be purchased for your Unit
--

Stability Vest: Five point restraint for individuals who need higher degree of stability than provided with standard seat belt.

Total Cover: Made of attractive blue, weather resistant nylon material to keep unit protected from elements when not in use. Available for all units.

Arm Rests: Removable stainless steel arm rests for increased sense of security

Leg Extension: Extended leg rest facilitates deck clearance, especially with lifts used with spas.

Foot Rest: Stainless steel attachment for chair assembly prevents foot dragging.

Spine Board Attachment: Can be used to covert lift for use with any standard spine board.

Stretcher Seating: Partial recline lounge made of fiberglass-special order only.

Caddie for Splash!: Highly recommended for all Splash! models. Designed to lift unit out from anchor socket and roll to storage or other location if desired.

Anchor/Cap/Wrench: Standard deck sleeve measuring 1.9 diameter x 6" depth. The cap covers hole when unit not in place. Wrench unscrews cap from anchor.

M. PART LIST

Part Number	Description
100-1000	Actuator
100-1100	Control Unit
100-1200	Battery
100-1300	Battery Charger
100-1400	Hand Control
100-1500	24v Motor
100-3000	Motor Mount Assembly
100-4000	Hub Assembly
100-5000	Mast Assembly
100-6000	Actuator Arm
100-7000	Support Arm
100-8000	Seat Arm
100-9000	Seat Assembly
110-1000	PAL Main Frame
110-2000	Stabilizer
110-3000	Counter Weight Plate
110-4000	Housing Assembly
110-5000	Handle Assembly
220-1000	Splash! Base Assembly
220-2000	Console Assembly
220-4000	Splash! Housing
330-5000	Hi/Lo Mast Assembly
330-6000	Hi/Lo Actuator Arm
330-7000	Hi/Lo Tension Arm
330-8000	Hi/Lo Seat Arm
330-9000	Hi/Low Seat Assembly
440-1000	Heavy Duty Actuator
440-5000	Heavy Duty Mast
440-6000	Heavy Duty Actuator Arm
440-9000	Heavy Duty Seat Assembly
660-1000	Spineboard Attachment



RehaMed International, LLC.

14008 SW 140th Street • Miami, FL 33186

800-577-4424 Toll Free • 305-255-1400 Phone • 305-969-2155 Fax
info@poollifts.com <http://www.poollifts.com>