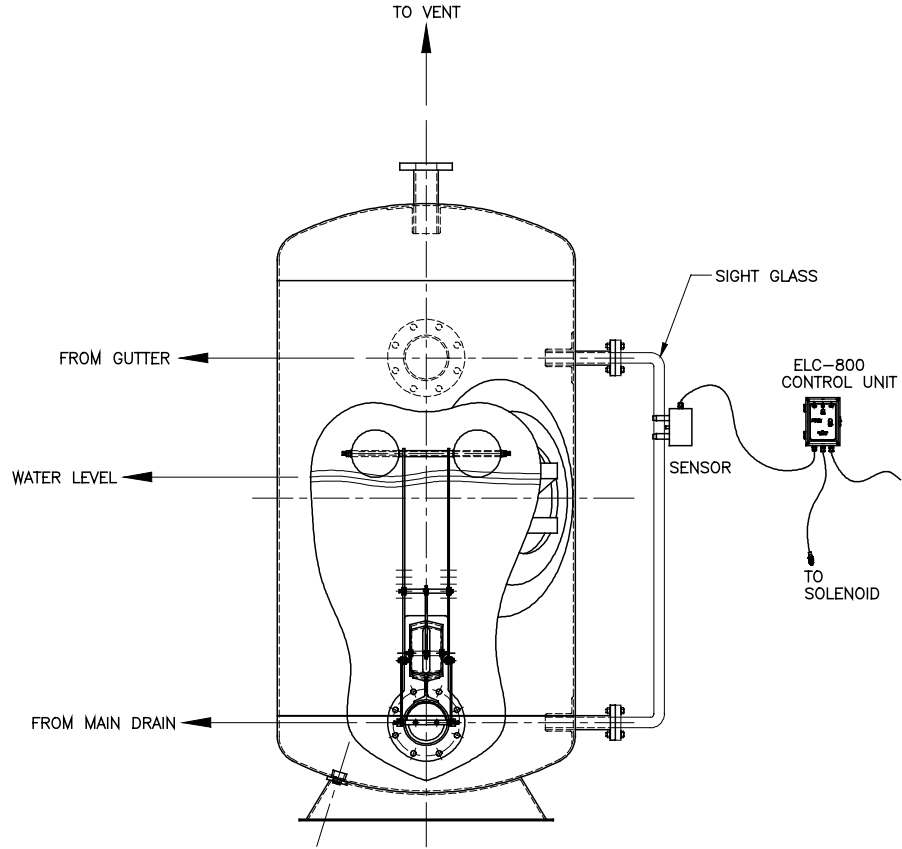


TANK PLAN



TANK ELEVATION

No	DATE	REVISION	BY

APPROVED:	DWG. REF.:	SCALE: 3/4"=1'-0"	S.O.:
CHECKED:	DRAWN: J. TZOUNTZOURIS	DATE: OCTOBER 25, 2000	P.O.:

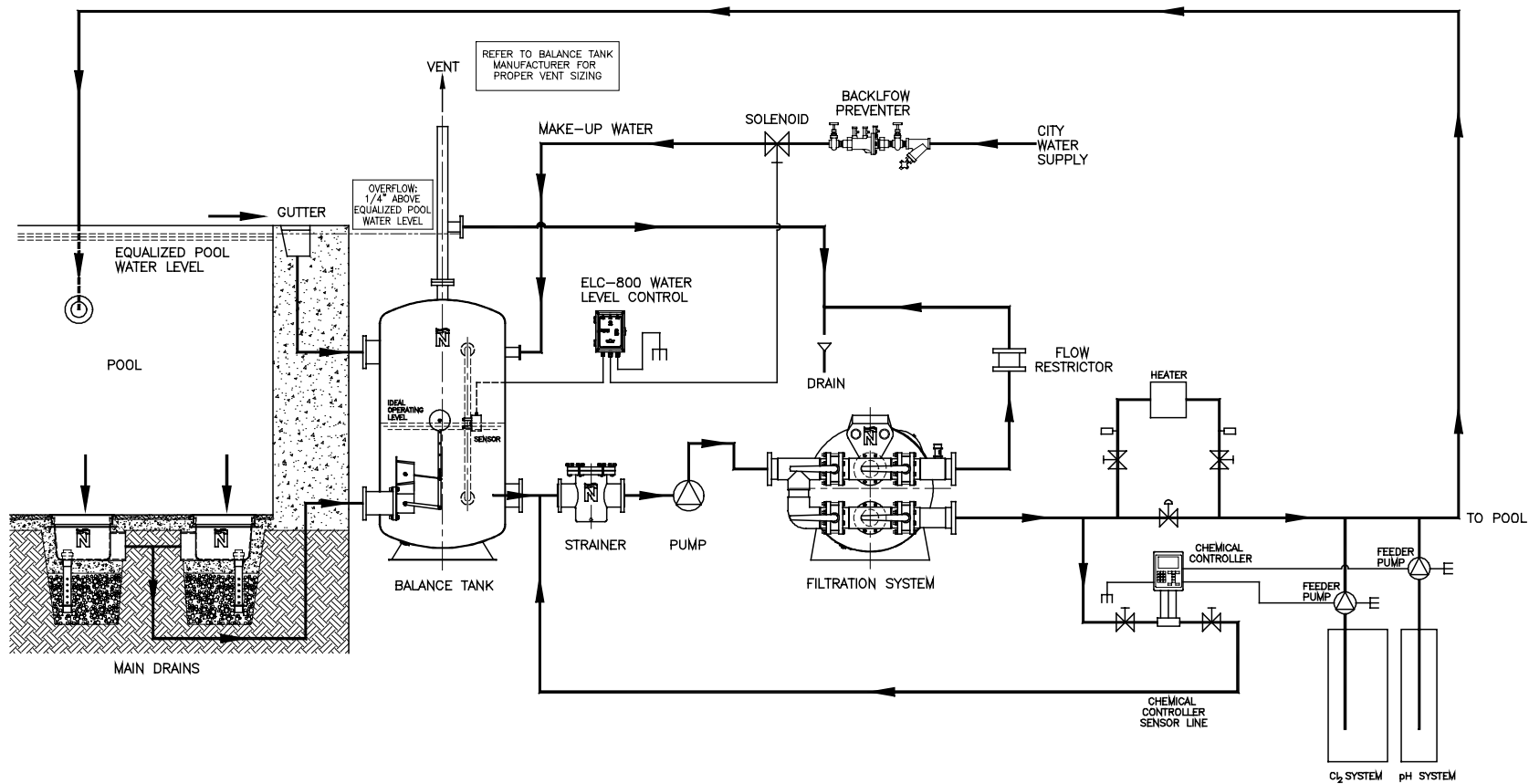
© COPYRIGHT 2001, NEMATO INC.
 THIS DOCUMENT CONTAINS INFORMATION PROPRIETARY
 AND CONFIDENTIAL TO NEMATO INC. AND SHALL NOT
 BE REPRODUCED, COPIED OR MADE AVAILABLE TO
 OTHERS WITHOUT PRIOR WRITTEN CONSENT FROM
 NEMATO INC.



AquatiControl Technology
 2875 W. Oxford Avenue, Suite 6, Englewood, CO 80110
 Tel: 303.782.9470 Fax: 303.781.1499

42" FRP BALANCE TANK

DRAWING NO.	REV.
00-171-B	00
SHEET 1 OF 2	



No	DATE	REVISION	BY

APPROVED:	DWG. REF.:	SCALE: NONE	S.O.:
CHECKED:	DRAWN: SPB	DATE: OCTOBER 25, 2000	P.O.:

© COPYRIGHT 2001, NEMATO, INC.
THIS DOCUMENT CONTAINS INFORMATION PROPRIETARY
AND CONFIDENTIAL TO NEMATO, INC., AND SHALL NOT
BE REPRODUCED, COPIED OR MADE AVAILABLE TO
OTHERS WITHOUT PRIOR WRITTEN CONSENT FROM
NEMATO, INC.



AquatiControl Technology
2870 W. Oxford Avenue, Suite 6, Englewood, CO 80110
Tel: 303.782.0470 Fax: 303.781.1499

MECHANICAL EQUIPMENT FLOW CHART
INSTALLATION DIAGRAM

DRAWING NO.	REV.
00-171-B	00
SHEET 2 OF 2	